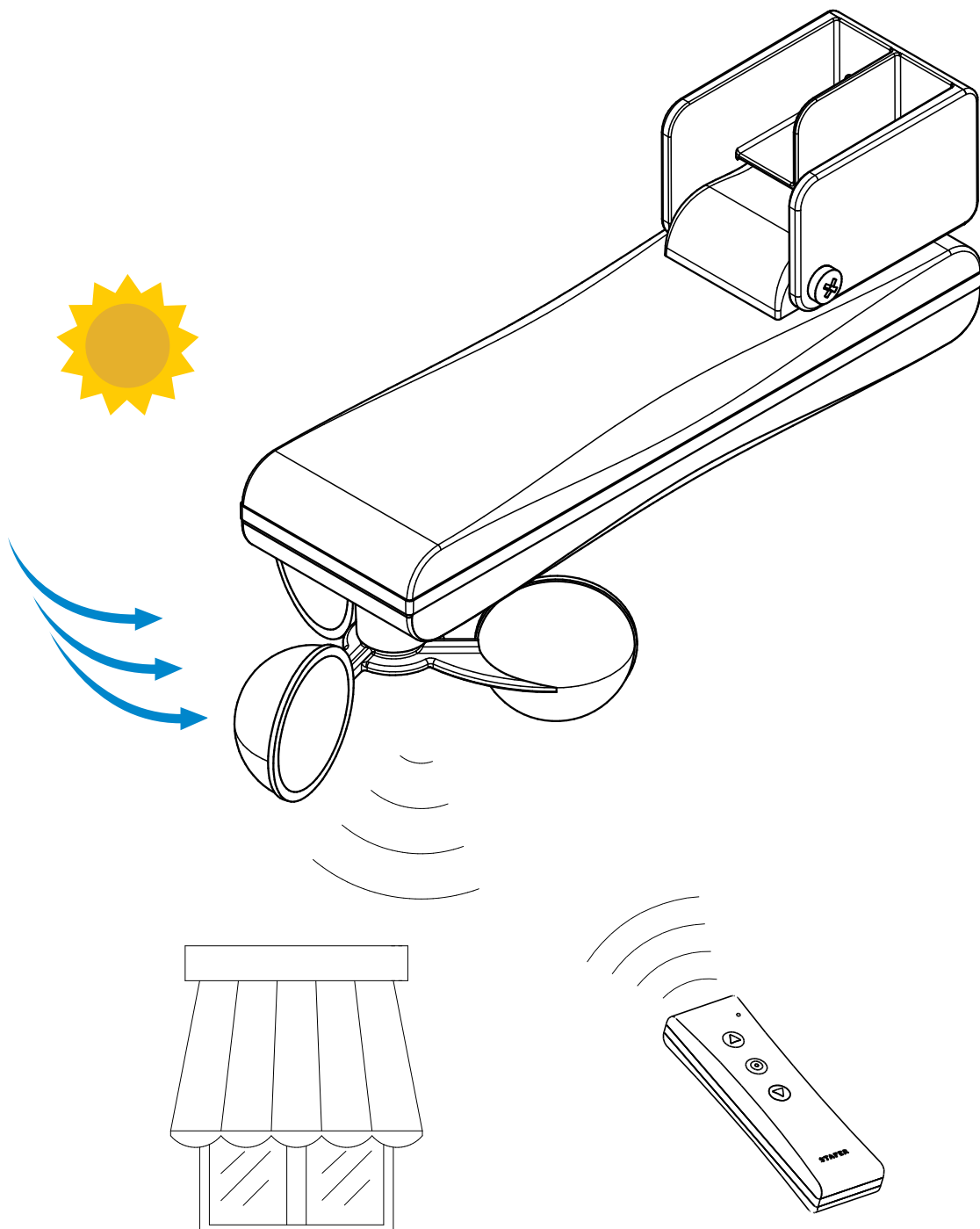


595.K.XS.00



Dear customer, thank you for purchasing a STAFER S.p.A. product. This guide contains information about the product use. Before installing and using the product, please read this guide carefully and keep it for future reference. 595.K.XS.00 is a sun/wind sensor designed to operate RADIO tubular motors powered by main voltage, and suitable to operate awnings, blinds or similar products. It can be controlled by buttons only, remote control only, or both. 595.K.XS.00 allows the motor to operate the automatic retraction of awnings when the wind exceeds the set threshold, as well as their release when the intensity of sun exceeds the set threshold. These thresholds are set by the factory in the motor, but they can be adjusted according to needs.

WARNING!!

This sensor does not protect shutters in case of strong and sudden wind gusts. In case of weather hazards of this type, make sure that shutters remain closed! Stafer S.p.A. declines all liability for damage incurred due to weather events not detected by the device.

Any other use beyond the field defined by Stafer S.p.A. is prohibited and involves, as well as the failure to comply with instructions provided in this guide, voidance of Stafer S.p.A.'s liability and warranty. The installer, after the installation of the product, must train the end user about the use of the automation and provide him with the user and maintenance manual.

Index	
01 Warnings	page 01
02 Assembly instructions	page 02
03 Electrical connections	page 03
04 General functions	page 03
05 Interfacing with home automation control units	page 03
06 How to associate one or more motors	page 04
07 Anemometric test function	page 04
08 Radio test function	page 04
09 WIND sensor	page 04
10 SUN function	page 05
11 Operating logic of command buttons	page 06
12 Automatic lowering function after wind alarm	page 06
13 Motor check on awning status	page 07
14 Factory values reset	page 07

Technical specifications

✓ Power supply:	120 or 230 Vac, 50/60 Hz
✓ Dimensions:	240 x 60 x H.111/133 mm
✓ Weight:	230 g
✓ Operating temperature:	from -20 to +55 °C
✓ Protection degree	IP 55
✓ Wind threshold:	from 5 to 35 km/h
✓ Sun threshold:	from 1 to 45 Klux

Let's protect the environment!

STAFER uses recyclable packaging materials. Dispose of materials in proper containers, in compliance with laws in force in your location.

If you are an installer and use a large number of motors, ask your dealer about receiving motors in "honeycomb pads", an environmentally friendly choice that limits clutter and waste by reducing the amount of packaging materials. This product may have substances that are polluting for the environment and dangerous for the health.

At the end of the product life cycle, carefully comply with local waste disposal rules. It is strictly forbidden to dispose of the product in the domestic waste.

**Notes on radio systems**

It is advisable to avoid using radio systems in areas with strong interference (for example, near police stations, airports, ports, banks, etc.). Radio systems can be used where possible disturbances or malfunctioning of the transmitter or the receiver do not cause a risk factor, or if the risk factor is cancelled by suitable safety systems. The presence of radio devices operating on the same transmission frequency (**433.42 MHz**) can interfere with the radio receiver of the device and thus reduce the range of the system and limit the functionality of the entire system.

**01. WARNINGS. WARNING!****01.1 SAFETY WARNINGS**

- ✓ Incorrect installation can cause serious injuries.
- ✓ Keep these instructions for future maintenance operations and the disposal of the product.
- ✓ All the product installation, connection, programming and maintenance operations must be carried out only by a qualified and skilled technician, who must comply with laws, provisions and local regulations, and the instructions provided herein.
- ✓ Wiring must comply with current CEI standards. In compliance with the provisions of Italian Ministerial Decree 37/2008, the final electrical system must be installed only by an electrician.
- ✓ Some applications require "man present" operation and can exclude the use of radio commands or require particular safety devices.
- ✓ To prevent potentially dangerous situations, regularly check the operating condition of the rolling shutter/awning.

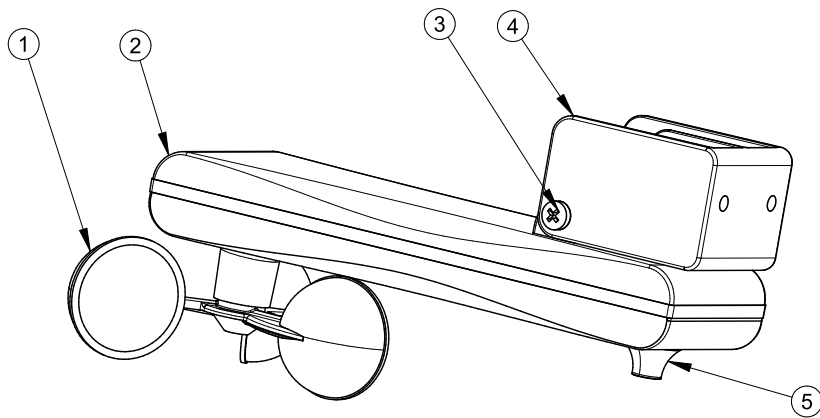
01.2 INSTALLATION WARNINGS

- ✓ Read the technical specifications in paragraph "Technical Specifications" to evaluate the operating parameters of the product.
- ✓ Before installing the product, check compatibility with associated devices and accessories.
- ✓ The motor connected to the anemometer must be a STAFER of RADIO type (or, connect an external Stafer RADIO control unit); the motor must be of power adequate to the charge (check the rating plate data on the motor).
- ✓ Check that the package is intact and has not been damaged during transport.
- ✓ A heavy shock, falls, crushing and the use of unsuitable tools can cause the damage of the external or internal parts of the product.
- ✓ Do not pierce or tamper with the product in any way. Do not modify or replace parts without the Manufacturer's permission.
- ✓ Check that the location selected for product installation enables the blades to be exposed to the same wind to which the rolling shutter to be motorized is exposed.
- ✓ Check that the installation location is made of solid materials and can ensure a stable installation.
- ✓ Do not install the product near heat sources (such as chimneys, etc....).
- ✓ Adjust the control unit inclination so that blades are positioned horizontally.
- ✓ The wind detection blades must face downward. The blades must be free to rotate without obstruction.
- ✓ Check that the control unit is placed in a protected position from accidental impact with other objects (e.g. branches, etc.).
- ✓ The power cable must be positioned in such a way as to avoid contact with moving parts.
- ✓ Do not use abrasive or solvent products for cleaning the device; do not clean using water-jet or high-pressure cleaners.
- ✓ For your safety, do not work near the coiler while the motor is powered.

01.3 USE WARNINGS

- ✓ The product is not intended to be used by persons (including children) with reduced physical, sensory or mental capabilities, or lack of experience and knowledge, unless they are supervised or given instructions about the product way of use by a person responsible for their safety.
- ✓ Check automation during operation and keep people at a safe distance, until operation ends.
- ✓ Do not allow children to play with the appliance or with the fixed control devices.
- ✓ Do not operate the rolling shutter when maintenance operations are being carried out (e.g. window cleaning, etc.). If the control device is automatic, disconnect the motor from the power line.

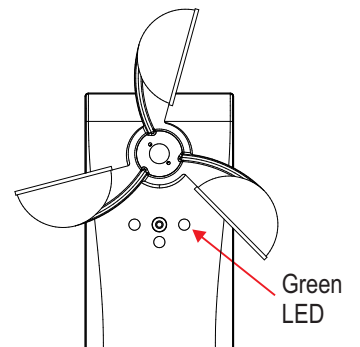
02. ASSEMBLY INSTRUCTIONS



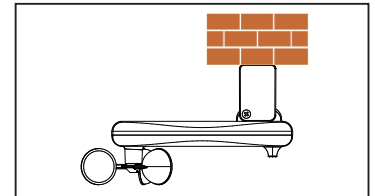
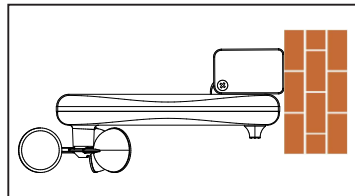
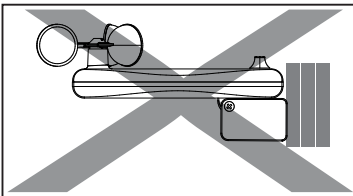
Components key:

- (1) Impeller
- (2) Anemometer body
- (3) Support fastening screw
- (4) Wall fastening support
- (5) Rubber cable entry

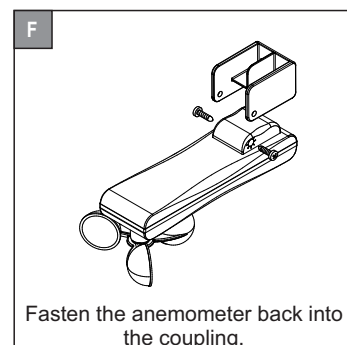
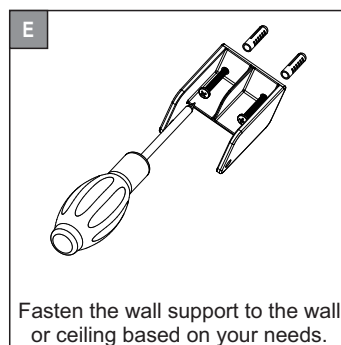
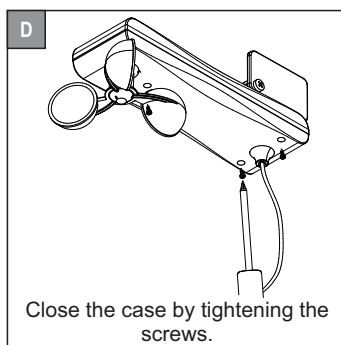
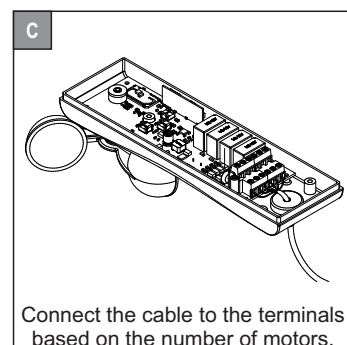
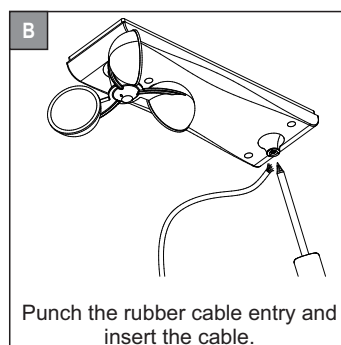
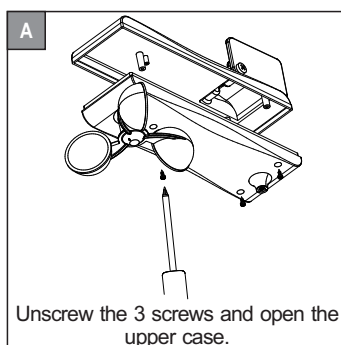
02.1 LED DIAGRAM



02.2 FASTENING SYSTEMS



02.3 ASSEMBLY INSTRUCTIONS

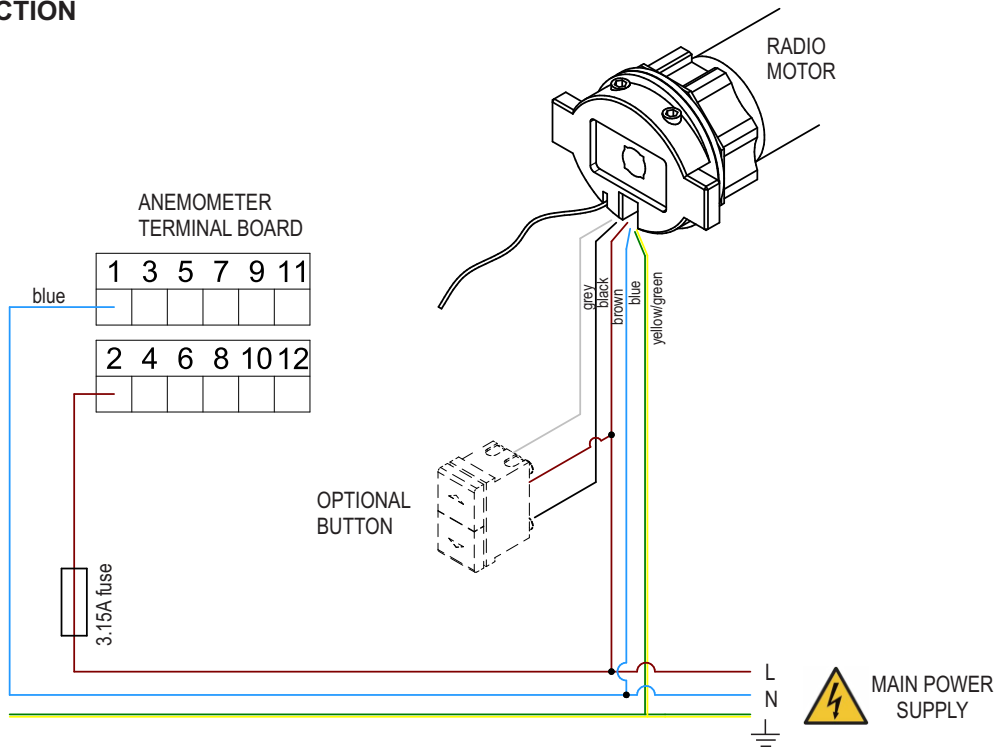


- Notes:**
- ✓ the product has been designed to be installed with blades facing downward. Moreover, the sensor body must be adjusted horizontally.
 - ✓ the bore interaxis is 25 mm.
 - ✓ as soon as the anemometer is powered up, the green LED starts to flash without ever turning off.

03. ELECTRICAL CONNECTION

- ✓ Make all connections with the power supply disconnected.
- ✓ Check that the power line does not feed on electrical circuits to be used for lighting.
- ✓ Always connect the motor to the grounding system (yellow/green).
- ✓ The power line must be equipped with a magnetothermal or differential circuit breaker. A category III overvoltage disconnection device must be fitted on the power supply line, i.e. at a distance of at least 3.5 mm between the contacts.
- ✓ The product does not provide for any protection against overloads or short circuits. Provide adequate protection for the load on the power supply line, for example a fuse with a maximum value of 3.15 A.
- ✓ The section of the connecting cables must be proportionate to their length and to the power load absorption, and, in any case, not less than 1.5 mm.
- ✓ If you wish, it is possible to also connect a button to the radio motor.
- ✓ **You must use command buttons with spring return (“man present” type)**, do NOT use switches with maintained position.
- ✓ Command buttons are connected to the main voltage, so they must be properly insulated and protected.
- ✓ Once the electrical connections are finished, bring the motor/motors to intermediate position and check that in the “wind alarm” condition the anemometer controls the upward movement of the motor/motors (to exit the “wind alarm”, disconnect power for a few seconds).

ELECTRICAL CONNECTION



04. GENERAL OPERATION

This RADIO anemometer, unlike other Stafer anemometers, consists of two internal sensors, one that measures wind and one that measures brightness. The anemometer communicates with the associated motor, every 15 seconds, the measured values of wind and brightness without performing any particular operation. Each motor, autonomously, determines whether to open or close the awning based on the wind and sun thresholds that the operator has previously set up. If the anemometer is associated with several RADIO motors, wind and sun thresholds must be set for each motor. In this case, it is possible to customise each awning independently of one another, though they will all be coordinated by the same anemometer. As a result, the remote control will communicate its commands directly to the motors, and not to the anemometer.

It must be borne in mind that, during operation, the anemometer totally ignores the position of the awnings, as it is not aware of the set thresholds. Consequently it cannot even know if the wind alarm has been activated and cannot communicate with possible LEDs concerning the awning status (sun, wind alarm, faults, etc.).

To receive information about the awning status, it is possible to “question” a motor (paragraph 13).

05. INTERFACING WITH HOME AUTOMATION CONTROL UNITS

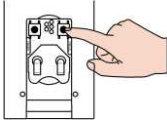
- ✓ This device can be interfaced to the most widespread home automation control units through the wires of the command buttons (it is still necessary to check beforehand the compatibility, assessing whether the home automation control unit is able to provide appropriate signals to the device).
- ✓ **Warning:** Before making any connections between your device and the home automation control unit you need to choose the operating logic of the buttons that will best suit your home automation system (“pulse” or “man present” logic, see section 8 “Operating logic of command buttons”).
- ✓ If you select the “pulse” operating logic (factory setting), the home automation control unit must be able to generate timed signals on the contacts for the buttons (greater than 0.5 sec to start the manoeuvre, less than 0.5 sec to stop the manoeuvre). If your home automation system does not have this feature, you must set the device to operate in “man present” logic.
- ✓ Note that the **OPEN** and **CLOSE** contacts of the home automation control unit, connected to the wires of the command buttons on the device, must close on phase.

06. HOW TO ASSOCIATE/DISSOCIATE ONE OR MORE MOTORS TO THE ANEMOMETER

The procedure to store or delete an anemometer in a motor is as follows:

- make sure you have already stored a remote control that operates the motor (or that controls the external receiver 596.R.EU.00). Refer to motor instructions.
- with the remote control bring the motor to the intermediate position.
- briefly press PROG of the remote control (in 596TX, inside the battery compartment/in 595TX100, on the back in the hole). The motor performs two small movements.

PROG button
Item 596.T.X..



PROG button
Item 595.T.X1.00



- within 15 seconds, turn the anemometer impeller by hand for a few seconds, counterclockwise (seen from above).
- once the anemometer has been associated or dissociated, the motor will make a brief up/down movement.
- in the case of association, check that the anemometer has been stored correctly by the motor, by quickly turning the impeller for several seconds and triggering the wind alarm in the motor (remember that communication between anemometer and motor occurs once every 15 seconds).

07. ANEMOMETRIC TEST FUNCTION

The device is provided with a diagnosis function of the wind sensor. If, for 24 hours the wind sensor does not generate any valid pulse, the motor commands an upward manoeuvre of the awning, suspending all other activities. The device will come out of this state resuming normal activities only when the anemometer generates a valid pulse. To force-exit the alarm, remove and restore power. The function cannot be deactivated.

08. RADIO TEST FUNCTION

The anemometer sends a signal to the motor every 15 seconds communicating the sun and wind readings. If the wind sensor does not generate any valid pulse twice consecutively, it means that there is some malfunction. As a result, the motor forces the awning to be raised, suspending any other activity. The device will come out of this state resuming normal activities only when the anemometer generates a valid pulse. To force-exit the alarm, remove and restore power. The function cannot be deactivated.

09. WIND SENSOR

If wind speed is above the set threshold for at least 15 seconds, an upward movement is activated to protect the awning (wind alarm). During this phase, all manual commands are disabled. The motor exits the "wind alarm" if the wind speed keeps below the set threshold for at least 5 minutes. The wind threshold ranges from 5 km/h to 45 km/h. If several motors are combined with the anemometer, the wind threshold must be set for each motor. When an anemometer is associated with the motor, a threshold of level 2 is set as factory default value. To change it, proceed as follows.

In case of wind alarm, the anemometer does not indicate the awning status with any LED. This is because the device ignores the wind threshold set inside the motor. To "question" the motor on the awning status, see paragraph 13.

09.1 CHANGE OF WIND THRESHOLD BY USING A REMOTE CONTROL OR A WALL-MOUNTED BUTTON

USING THE REMOTE CONTROL Item 596

01. In the case of multichannel, select the channel corresponding to the motor you wish to programme.
02. Press **MENU**. The motor shows: up/down. Display shows: - - .
03. Press **UP twice** and **DOWN once**. 21 appears on the display.
04. Press **STOP once**. The motor shows: up/down.
05. Press **UP once**. The motor shows the current value by performing 1 to 5 movements.
(1 = 5km/h; 2 = 10km/h; 3 = 15km/h; 4 = 25km/h; 5 = 45km/h).
Factory sets the value on 2.
06. Press the **UP** button a number of times equal to the desired value.
07. After 2 seconds, the motor performs upward movements equal to the set value.
08. Press **MENU** to exit (the motor does not show anything).

USING THE REMOTE CONTROL Item 595

01. Bring the motor to the intermediate position.
02. Press quickly **3 times on PROG** on the back (red led on).
The motor shows: up/down.
03. Press **UP twice** and **DOWN once**.
04. Press **STOP once**. The motor shows: up/down.
05. Press **UP once**. The motor shows the current value by performing 1 to 5 movements.
(1 = 5km/h; 2 = 10km/h; 3 = 15km/h; 4 = 25km/h; 5 = 45km/h).
Factory sets the value on 2.
06. Press the **UP** button a number of times equal to the desired value.
07. After 2 seconds, the motor performs upward movements equal to the set value.
08. Press quickly **PROG 3 times** to exit (red led off, the motor does not show anything).

USING THE WALL-MOUNTED BUTTON

01. Bring the motor to the intermediate position.
02. Remove and restore power.
03. Within 15 seconds, press **UP 3 times** and **DOWN 3 times**. The motor shows: up/down.
04. Press **UP twice** and **DOWN once**. After 10 seconds, the motor shows up/down.
05. Press **UP once**. The motor shows the current value by performing 1 to 5 movements.
(1 = 5km/h; 2 = 10km/h; 3 = 15km/h; 4 = 25km/h; 5 = 45km/h).
Factory sets the value on 2.
06. Press the **UP** button a number of times equal to the desired value.
07. After 2 seconds, the motor performs upward movements equal to the set value.
08. Wait for 10 seconds. The motor exits the menu without signalling.

Tab. 01 - Wind threshold

No. of movements	Threshold
1	5 Km/h
2	10 Km/h
3	15 Km/h
4	25 Km/h
5	45 Km/h

Notes:

- 1) Button must be pressed shortly, approx. 0,5 seconds between two pressures.
- 2) If you try to set a wind threshold higher than 5, the value is rejected and completes 4 short up/down movements. Press again.

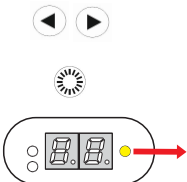
09.2 FORCED EXIT FROM THE WIND ALARM

It is possible to exit the "wind alarm" mode without waiting for the 5 minutes required for the wind to go below the threshold, removing voltage from the motor and waiting a few seconds before switching on again.

10. SUN FUNCTION

The "sun" function allows the awning to move automatically according to sun exposure, based on brightness measured by the light sensor installed on the anemometer. This function is deactivated by default and can be activated at a later time. If the intensity of the sun is above the set threshold for at least 2 minutes, an automatic downward manoeuvre is performed; if the intensity of the sun is below the set threshold for at least 15 minutes, an automatic upward manoeuvre is performed. Once an automatic downward manoeuvre for the presence of the sun is performed, the next automatic manoeuvre performed by the control unit will be an upward movement for absence of sun and so on. The user can, in any case, operate the awning, without the manual command affecting the operating logic of the sun sensor. The sun threshold ranges from 1 to 45 Klux. The factory sets the sun threshold to level 2. In the event of a wind alarm, the awning will be closed whether or not any sun is shining.

10.1 ACTIVATION/DEACTIVATION OF "SUN" FUNCTION WITH REMOTE CONTROL OR WALL-MOUNTED BUTTON

USING THE REMOTE CONTROL Item 596	USING THE REMOTE CONTROL Item 595
 <p>Select the channel associated with the motor (excluding "SE" sequencer channel)</p> <p>Press the SUN button until the status of the YELLOW LED changes (about 2 seconds)</p> <p>YELLOW LED LIGHT ON/OFF: "sun" function active/off</p>	<ol style="list-style-type: none"> 01. Bring the motor to the intermediate position. 02. Press quickly 3 times on PROG* on the back (red led on). The motor shows: up/down. 03. Press UP twice and DOWN twice, then press STOP. 04. The motor shows: up/down. 05. To activate, press UP once. To deactivate, press DOWN once. 06. After 2 seconds, the motor replicates the movement. 07. Press quickly PROG* 3 times to exit (red led off, the motor does not show anything).
USING THE WALL-MOUNTED BUTTON	
<ol style="list-style-type: none"> 01. Bring the motor to the intermediate position. 02. Remove and restore power. 03. Within 15 seconds, press UP 3 times and DOWN 3 times*. The motor shows: up/down. 04: Press twice on UP and twice on DOWN. After 10 seconds, the motor shows up/down. 05. To activate, press UP once. To deactivate, press DOWN once. 06. After 2 seconds the motor moves UP or DOWN based upon the settings. 07. Wait for 10 seconds. The motor exits the menu without signalling. 	

(*) The buttons must be pressed shortly, max 0,5 seconds between two pressures.

10.2 ADJUSTMENT OF "SUN" THRESHOLD WITH REMOTE CONTROL OR WALL-MOUNTED BUTTON

USING THE REMOTE CONTROL Item 596	USING THE REMOTE CONTROL Item 595
<ol style="list-style-type: none"> 01. Select the correct radio channel and bring the motor on the intermediate position. 02. Press MENU. The motor shows: up/down. Display shows: - - . 03. Press twice on UP and 3 times on DOWN. 23 appears on the display. 04. Press STOP once. The motor shows: up/down. 05. Press UP once. The motor shows the current value by performing 1 to 5 movements (see Table 2). Factory sets the value on 2. 06. Press the UP button a number of times equal to the desired value. 07. After 2 seconds, the motor performs upward movements equal to the set value. 08. Press MENU to exit. The motor exits the menu without signalling. 	<ol style="list-style-type: none"> 01. Bring the motor to the intermediate position. 02. Press quickly 3 times on PROG* on the back (red led on). The motor shows: up/down. 03. Press twice on UP and 3 times on DOWN. 04. Press STOP once. The motor shows: up/down. 05. Press UP once. The motor shows the current value by performing 1 to 5 movements (see Table 2). Factory sets the value on 2. 06. Press the UP button a number of times equal to the desired value. 07. After 2 seconds, the motor performs upward movements equal to the set value. 08. Press quickly PROG* 3 times to exit (red led off, the motor does not show anything).
USING THE WALL-MOUNTED BUTTON	
<ol style="list-style-type: none"> 01. Bring the motor to the intermediate position. 02. Remove and restore power. 03. Press 3 times on UP and 3 times on DOWN. The motor shows: up/down. 04. Press UP twice and DOWN 3 times. After 10 seconds, the motor shows up/down. 05. Press UP once. The motor shows the current value by performing 1 to 5 movements (see Table 2). Factory sets the value on 2. 06. Press the UP button a number of times equal to the desired value. 07. After 2 seconds, the motor performs upward movements equal to the set value. 08. Wait for 10 seconds. The motor exits the menu without signalling. 	

Tab. 02 - Sun threshold

No. of movements	Threshold
1	Very sensitive (1 Klux)
2
3
4
5	Not very sensitive (45 Klux)

Notes:

- 1) Button must be pressed shortly, approx. 0,5 seconds between two pressures.
- 2) If you try to set a wind threshold higher than 5, the value is rejected and completes 4 short up/down movements. Press again.

11. OPERATING LOGIC OF COMMAND BUTTONS

This device provides the possibility to choose one of the following operating logics for the command buttons:

“Pulse” logic

This is the default mode from the factory. The motor moves up (down) if the relevant contact is closed on phase for at least 0.5 sec, the motor will stop if any one of the two contacts is closed briefly (less than 0.5 sec).

“Man present” logic

The motor moves up (down) if the relevant contact is closed on phase for at least 0.5 sec, the motor stops when contact is open..

USING THE REMOTE CONTROL Item 596

01. Select the correct radio channel and bring the motor on the intermediate position.
02. Press **MENU**. The motor shows: up/down. Display shows: - - .
03. Press **4 times on DOWN**. 04 appears on the display.
04. Press **STOP once**. The motor shows the current setting. Once UP = man present; once DOWN = pulse.
05. Within 5 seconds, press the **UP** or **DOWN** button according to the function you wish to set.
06. After 2 seconds the motor replicates the command received, with an UP or DOWN movement.
07. Press **MENU** to exit. The motor exits the menu without signalling.

USING THE REMOTE CONTROL Item 595

01. Bring the motor to the intermediate position.
02. Press quickly **3 times on PROG*** on the back (red led on). The motor shows: up/down.
03. Press **4 times on DOWN**.
04. Press **STOP once**. The motor shows the current setting. Once UP = man present; once DOWN = pulse.
05. Within 5 seconds, press the **UP** or **DOWN** button according to the function you wish to set.
06. After 2 seconds the motor replicates the command received, with an **UP** or **DOWN** movement.
07. Press quickly **PROG* 3 times** to exit (red led off, the motor does not show anything).

USING THE WALL-MOUNTED BUTTON

01. Bring the motor to the intermediate position.
02. Remove and restore power.
03. Within 15 seconds, press **UP 3 times** and **DOWN 3 times***. The motor shows: up/down.
04. Press **4 times on DOWN**. The motor shows the current setting. Once UP = man present; once DOWN = pulse.
05. Within 5 seconds, press the **UP** or **DOWN** button according to the function you wish to set.
06. After 2 seconds the motor replicates the command received, with an **UP** or **DOWN** movement.
07. Wait for 10 seconds. The motor exits the menu without signalling.

(*) The buttons must be pressed shortly, max 0,5 seconds between two pressures.

12. AUTOMATIC LOWERING FUNCTION AFTER WIND ALARM

This device allows lowering the awning automatically after it retracted due to a wind alarm.

After 5 minutes without wind, either of two situations can occur:

- If the sun function was activated, it will re-open the awning based upon brightness detection.

- If the sun function was deactivated, the awning will be automatically re-opened only if it was open when the wind was detected (if it was already closed, it will remain closed).

The automatic lowering function can be activated or deactivated. The factory sets it on ACTIVE mode. To change it, follow the procedure below.

USING THE REMOTE CONTROL Item 596

01. Select the correct radio channel and bring the motor on the intermediate position.
02. Press **MENU**. The motor shows: up/down. Display shows: - - .
03. Press **UP twice** and **DOWN 4 times***. 24 appears on the display.
04. Press **STOP once**. The motor shows the current setting.
05. Within 5 seconds, press the **UP** or **DOWN** button according to the function you wish to set.
06. After 2 seconds the motor replicates the command received, with an **UP** or **DOWN** movement.
07. Press **MENU** to exit. The motor exits the menu without signalling.

USING THE REMOTE CONTROL Item 595

01. Bring the motor to the intermediate position.
02. Press quickly **3 times on PROG*** on the back (red led on). The motor shows: up/down.
03. Press **twice on UP** and **4 times on DOWN**.
04. Press **STOP once**. The motor shows the current setting. Once UP = activate; Once DOWN = deactivate.
05. Within 5 seconds, press the **UP** or **DOWN** button according to the function you wish to set.
06. After 2 seconds the motor replicates the command received, with an **UP** or **DOWN** movement.
07. Press quickly **PROG* 3 times** to exit (red led off, the motor does not show anything).

USING THE WALL-MOUNTED BUTTON

01. Bring the motor to the intermediate position.
02. Remove and restore power.
03. Within 15 seconds, press **UP 3 times** and **DOWN 3 times***. The motor shows: up/down.
04. Press **twice on UP** and **4 times on DOWN**. The motor shows the current setting. Once UP = activate. Once DOWN = deactivate.
05. Within 5 seconds, press the **UP** or **DOWN** button according to the function you wish to set.
06. After 2 seconds the motor replicates the command received, with an UP or DOWN movement.
07. Wait for 10 seconds. The motor exits the menu without signalling.

(*) The buttons must be pressed shortly, max 0,5 seconds between two pressures.

13. MOTOR CHECK ON AWNING STATUS

This model of anemometer, being only a sensor that communicates wind and sun data to the motor, totally ignores the position of the awning and the intervention of any wind alarms, etc. The device that controls the awning based on wind and brightness is the motor. Consequently, no anemometer luminous LED can notify information about the awning status. However, it is possible to "ask" the motor about the alarm status. Proceed as follows.

USING THE REMOTE CONTROL Item 596

01. In the case of multichannel, select the correct radio channel.
02. Press **MENU**. The motor shows: up/down. Display shows: - - .
03. Press **twice on UP** and **5 times on DOWN**. 25 appears on the display.
04. Press **STOP** once. The motor provides information on the awning's current status. See table 3.
05. After 5 seconds, the motor returns to its initial position.
06. Press **MENU** to exit. The motor exits the menu without signalling.

USING THE WALL-MOUNTED BUTTON

01. Remove and restore power.
02. Press **UP 3 times** and **DOWN 3 times***. The motor shows: up/down.
03. Press **twice on UP** and **5 times on DOWN**. After 2 seconds, the motor provides information on the awning's current status. See table 3.
04. After 5 seconds, the motor returns to its initial position.
05. Wait for 10 seconds. The motor exits the menu without signalling.

USING THE REMOTE CONTROL Item 595

01. Press quickly **3 times on PROG*** on the back (red led on). The motor shows: up/down.
02. Press **twice on UP** and **5 times on DOWN**.
03. Press **STOP once**. The motor provides information on the awning's current status. See table 3.
04. After 5 seconds, the motor returns to its initial position.
05. Press quickly **PROG* 3 times** to exit (red led off, the motor does not show anything).

Tab. 03 - Alarm status

Awning position	No. of movements	Alarm
Closed	2 lowering	wind alarm
Open	3 x up	sun active
Closed	4 lowering	stopped due to radio test
Closed	5 lowering	stopped due to anemometric test

!! It only signals if the awning is completely open after automatic opening due to the sun.

(*) The buttons must be pressed shortly, max 0,5 seconds between two pressures.

14. ANEMOMETER RESET TO FACTORY VALUES

By resetting the "anemometer" menu inside the motor, all the settings relating to the anemometer will be reset to factory default. The anemometer will remain associated with the motor and continue to send information. To dissociate the anemometer from the motor, refer to paragraph 6.

USING THE REMOTE CONTROL Item 596

01. Bring the motor to the intermediate position.
02. Press **MENU**. The motor shows: up/down. Display shows: - - .
03. Press **twice on UP** and **8 times on DOWN**, "28" appears on the display.
04. Press **STOP**, the motor makes 6 movements up and down. Wait until it stops.
05. Press **UP twice** until the motor signals that the reset has been completed (1 down movement).
06. Press **MENU** to exit. The motor exits the menu without signalling.

USING THE WALL-MOUNTED BUTTON

01. Bring the motor to the intermediate position.
02. Remove and restore power.
03. Press **UP 3 times** and **DOWN 3 times***. The motor shows: up/down.
04. Press **twice on UP** and **8 times on DOWN**. After 10 seconds, the motor makes 6 movements up and down. Wait until it stops.
05. Press **UP twice** until the motor signals that the reset has been completed (1 down movement).
06. Wait for 10 seconds. The motor exits the menu without signalling.

USING THE REMOTE CONTROL Item 595

01. Bring the motor to the intermediate position.
02. Press quickly **3 times on PROG*** on the back (red led on). The motor shows: up/down.
03. Press **twice on UP** and **8 times on DOWN**.
04. Press **STOP**, the motor makes 6 movements up and down. Wait until it stops.
05. Press **UP twice** until the motor signals that the reset has been completed (1 down movement).
06. Press quickly **PROG* 3 times** to exit (red led off, the motor does not show anything).

(*) The buttons must be pressed shortly, max 0,5 seconds between two pressures.



All rights reserved.
STAFER S.p.a. - via Malpighi, 9 - 48018 Faenza (RA) ITALY
Tel. (+39) 0546.624811 - Fax (+39) 0546.623141 - www.stafer.com



All products and technical specifications given in this document are subject to variation without prior notice. Unless previously and specifically authorised by STAFER, the device must be used exclusively with transmitters produced by STAFER. STAFER cannot be considered responsible for damage caused by improper, incorrect or unreasonable uses.