

590.M.R4.00 Grouping module for 4 motors

- Relays mounted on printed circuit with terminal boards for motor connection, power line, general command and single commands.
- The 4 relays making up the module are used to make it compatible to receive more commands. General command and single command of each motor.
- Mount the relays on systems requiring the operation of up to 4 motors from a single point, also allowing the operation of a single motor command.
- Multiple modules can be mounted in series to increase the number of motors to be centralized.

Technical specifications

Max current	5 A
Power supply	230 V - 50/60 Hz
Protection grade	Ip55
Operating temperature	-20 + + 55 °C
Contact rating	MAX 500W
Overall dimensions	100 x 100 x 60 mm

Warnings

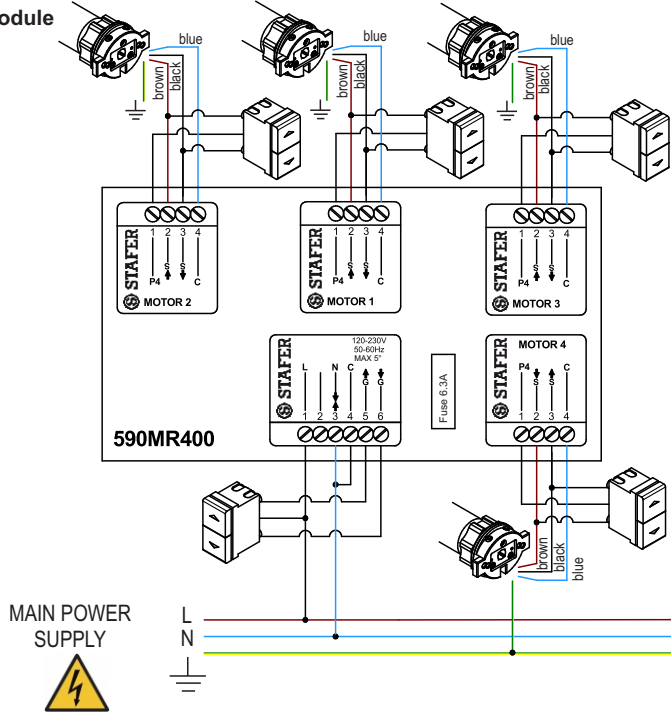
Cut off power to the system before carrying out any operation.
 The installation of the system must comply with CEI standards in force.
 The Manufacturer cannot be held liable for any damage caused by improper, erroneous or unreasonable use.
 The single and general command buttons must be fitted with "RETURN SPRINGS".

Disposal

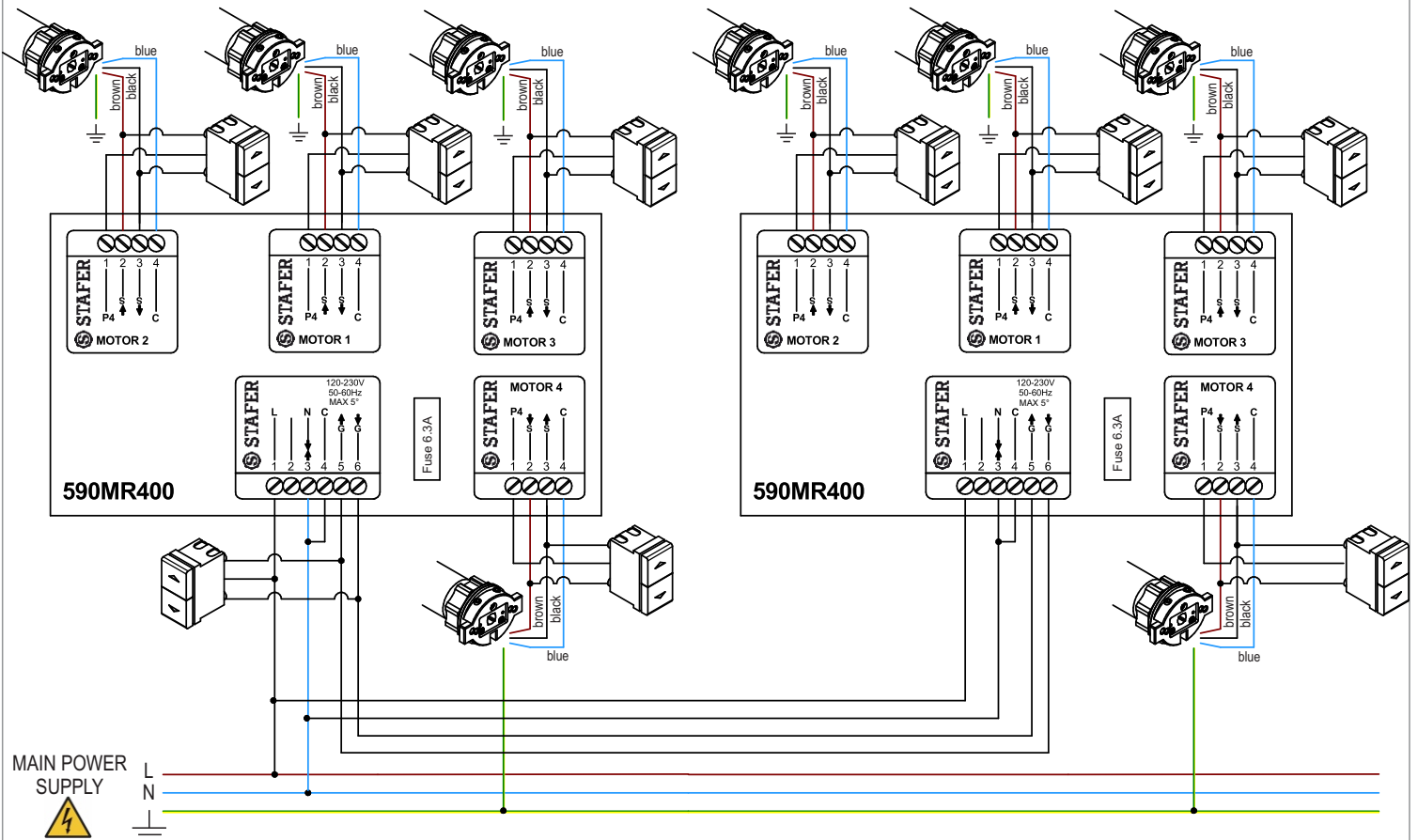
This product may have substances that are polluting for the environment and dangerous for the health. At the end of the product life cycle, carefully comply with local waste disposal rules. It is strictly forbidden to dispose of the product in the domestic waste.



Diagram for a single module



Multiple-module connection diagram



All products and technical specifications given in this document are subject to variation without prior notice.
 Unless previously and specifically authorised by STAFER, the device must be used exclusively with transmitters produced by STAFER.
 STAFER cannot be considered responsible for damage caused by improper, incorrect or unreasonable uses.