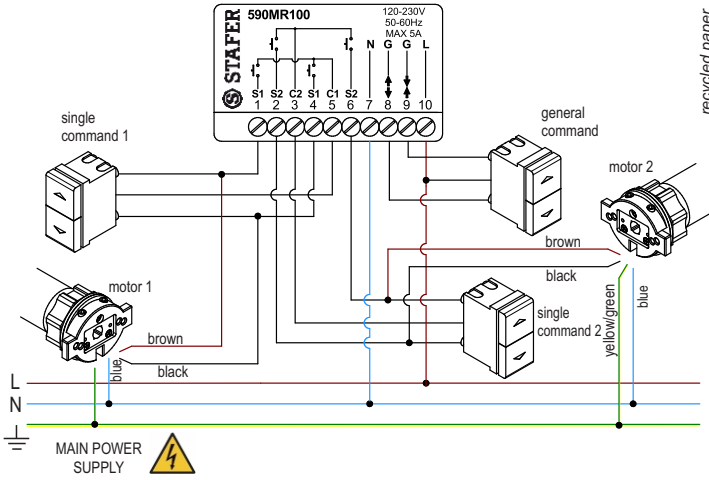


590.M.R1.00 Grouping module for 1 or 2 motors

- Relays mounted on printed circuit with terminal boards for motor connection, power line, general command and single commands.
- The two relays making up the module are used to make it compatible to receive more commands. General command and single command.
- Mount the relays on systems requiring operation of two motors from a single point, to allow also having a single motor command.

Technical specifications

Max current	5 A
Protection grade	IP20
Operating temperature	-20 + + 55 °C
Overall dimensions	40 x 84 x H.26 mm



All products and technical specifications given in this document are subject to variation without prior notice. Unless previously and specifically authorised by STAFER, the device must be used exclusively with transmitters produced by STAFER. STAFER cannot be considered responsible for damage caused by improper, incorrect or unreasonable uses.

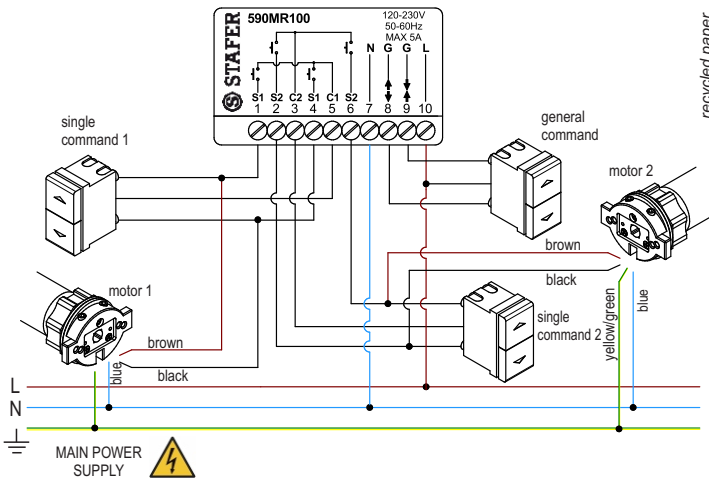
This product may have substances that are polluting for the environment and dangerous for the health. At the end of the product life cycle, carefully comply with local waste disposal rules. It is strictly forbidden to dispose of the product in the domestic waste.

590.M.R1.00 Grouping module for 1 or 2 motors

- Relays mounted on printed circuit with terminal boards for motor connection, power line, general command and single commands.
- The two relays making up the module are used to make it compatible to receive more commands. General command and single command.
- Mount the relays on systems requiring operation of two motors from a single point, to allow also having a single motor command.

Technical specifications

Max current	5 A
Protection grade	IP20
Operating temperature	-20 + + 55 °C
Overall dimensions	40 x 84 x H.26 mm



All products and technical specifications given in this document are subject to variation without prior notice. Unless previously and specifically authorised by STAFER, the device must be used exclusively with transmitters produced by STAFER. STAFER cannot be considered responsible for damage caused by improper, incorrect or unreasonable uses.

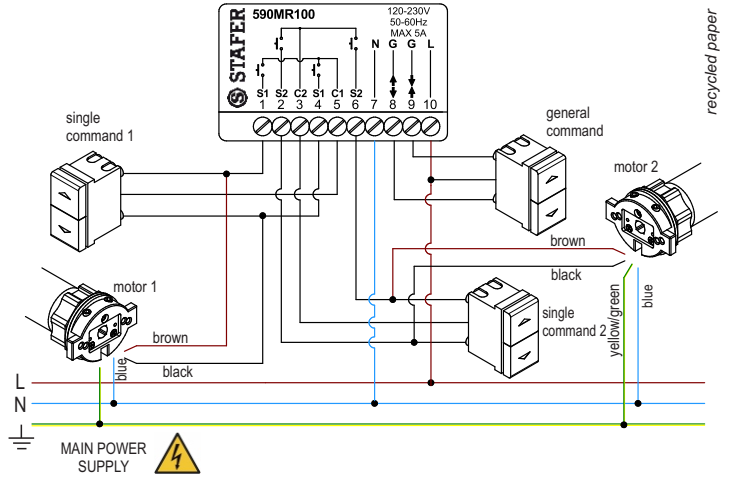
This product may have substances that are polluting for the environment and dangerous for the health. At the end of the product life cycle, carefully comply with local waste disposal rules. It is strictly forbidden to dispose of the product in the domestic waste.

590.M.R1.00 Grouping module for 1 or 2 motors

- Relays mounted on printed circuit with terminal boards for motor connection, power line, general command and single commands.
- The two relays making up the module are used to make it compatible to receive more commands. General command and single command.
- Mount the relays on systems requiring operation of two motors from a single point, to allow also having a single motor command.

Technical specifications

Max current	5 A
Protection grade	IP20
Operating temperature	-20 + + 55 °C
Overall dimensions	40 x 84 x H.26 mm



All products and technical specifications given in this document are subject to variation without prior notice. Unless previously and specifically authorised by STAFER, the device must be used exclusively with transmitters produced by STAFER. STAFER cannot be considered responsible for damage caused by improper, incorrect or unreasonable uses.

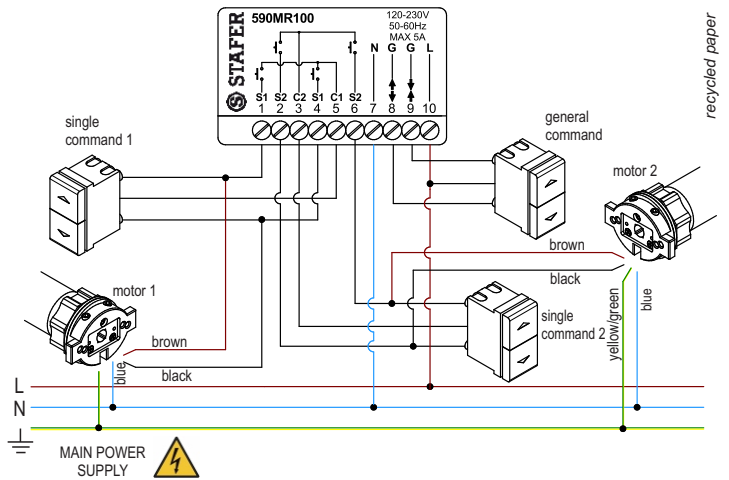
This product may have substances that are polluting for the environment and dangerous for the health. At the end of the product life cycle, carefully comply with local waste disposal rules. It is strictly forbidden to dispose of the product in the domestic waste.

590.M.R1.00 Grouping module for 1 or 2 motors

- Relays mounted on printed circuit with terminal boards for motor connection, power line, general command and single commands.
- The two relays making up the module are used to make it compatible to receive more commands. General command and single command.
- Mount the relays on systems requiring operation of two motors from a single point, to allow also having a single motor command.

Technical specifications

Max current	5 A
Protection grade	IP20
Operating temperature	-20 + + 55 °C
Overall dimensions	40 x 84 x H.26 mm



All products and technical specifications given in this document are subject to variation without prior notice. Unless previously and specifically authorised by STAFER, the device must be used exclusively with transmitters produced by STAFER. STAFER cannot be considered responsible for damage caused by improper, incorrect or unreasonable uses.

This product may have substances that are polluting for the environment and dangerous for the health. At the end of the product life cycle, carefully comply with local waste disposal rules. It is strictly forbidden to dispose of the product in the domestic waste.