

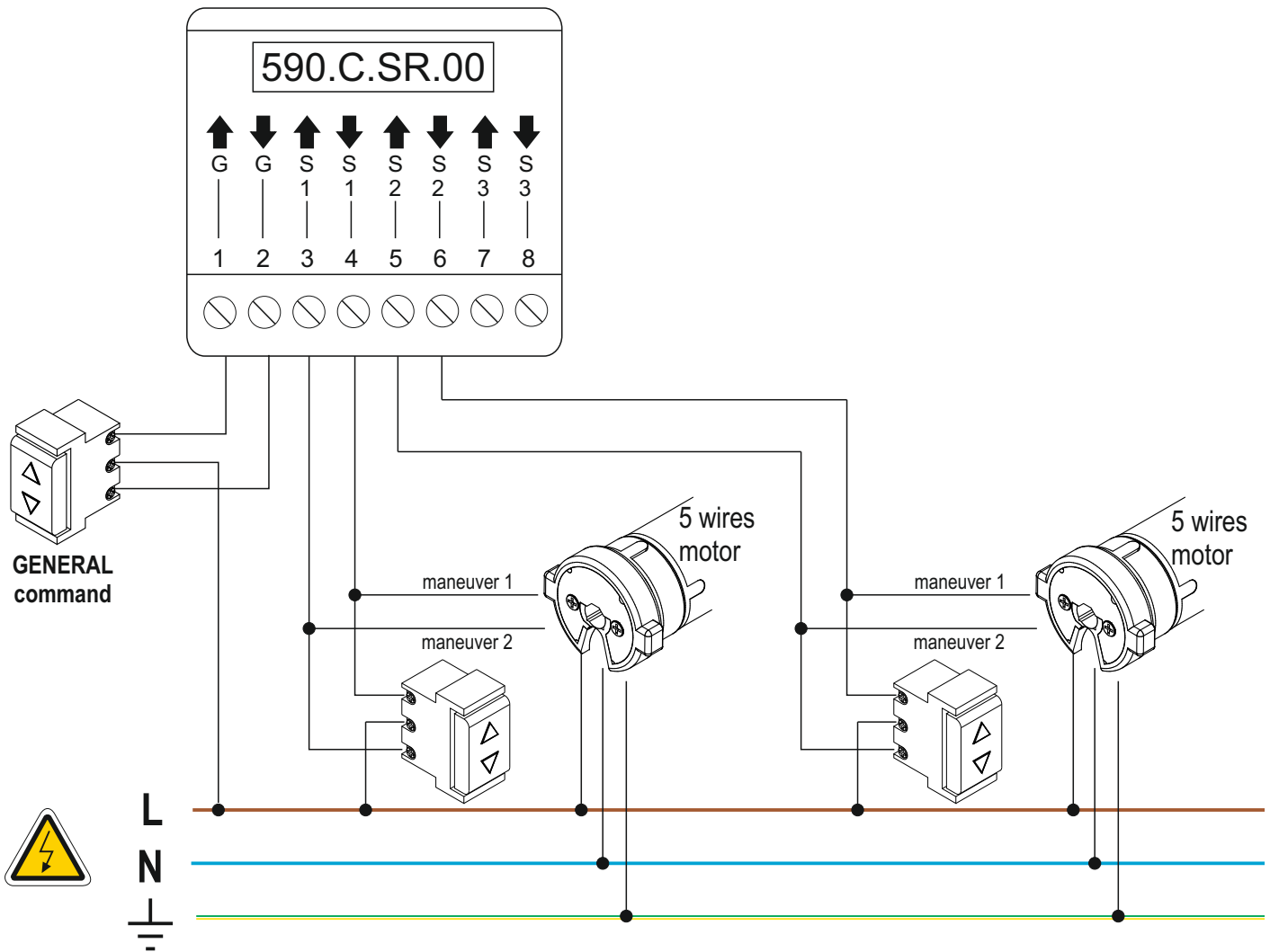
590.C.SR.00

- Inputs duplicating module for motors with electronic limit switch.
- It duplicates the inputs in order to obtain both inputs for the single and the general commands on the products which have a only main voltage input for single command and low current absorption.
- It is compatible only with STAFER S.p.A. centralization modules and motors with electronic limit switch with main voltage inputs and low current absorption.

Technical specifications

Max current	100 mA
IP protection	IP20
Working temperature	-20 + + 55 °C
Dimensions	44 x 38 x 25 mm

Example of use:



recycled paper

All products and technical specifications given in this document are subject to variation without notice. Unless previously and specifically authorised by STAFER, the device must be used exclusively with transmitters produced by STAFER. STAFER cannot be consider responsible for damage caused by improper, incorrect or unreasonable uses. STAFER shall not be liable for damage resulting from improper, incorrect or unreasonable use.